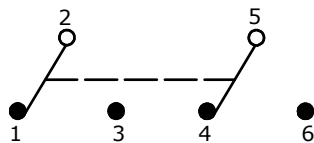
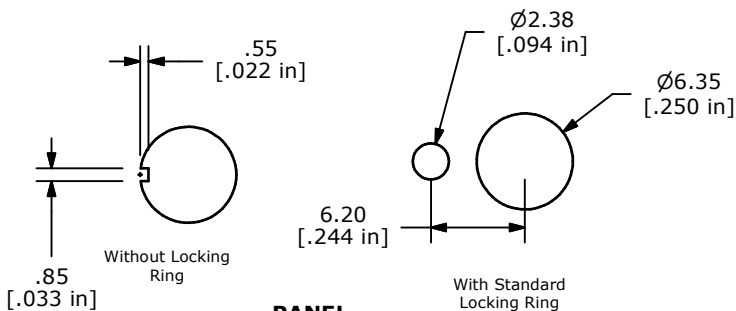
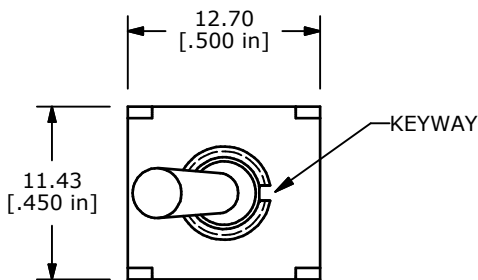


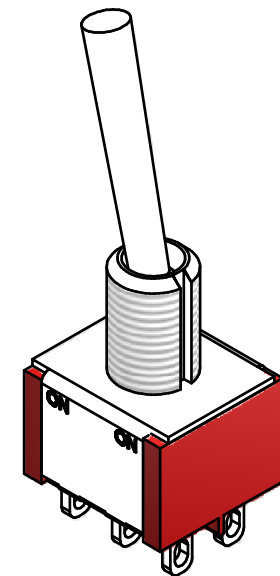
SWITCH FUNCTION		
POS. 1	POS. 2	POS. 3
ON	NONE	ON
2-3, 5-6	OPEN	2-1, 5-4



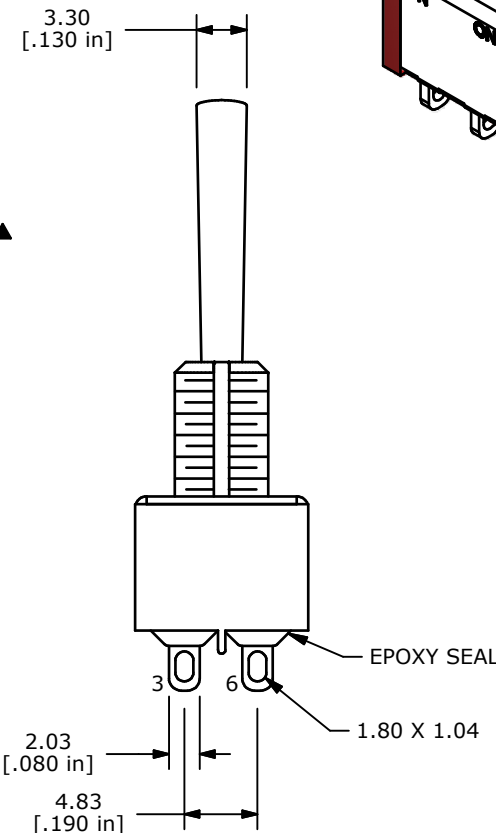
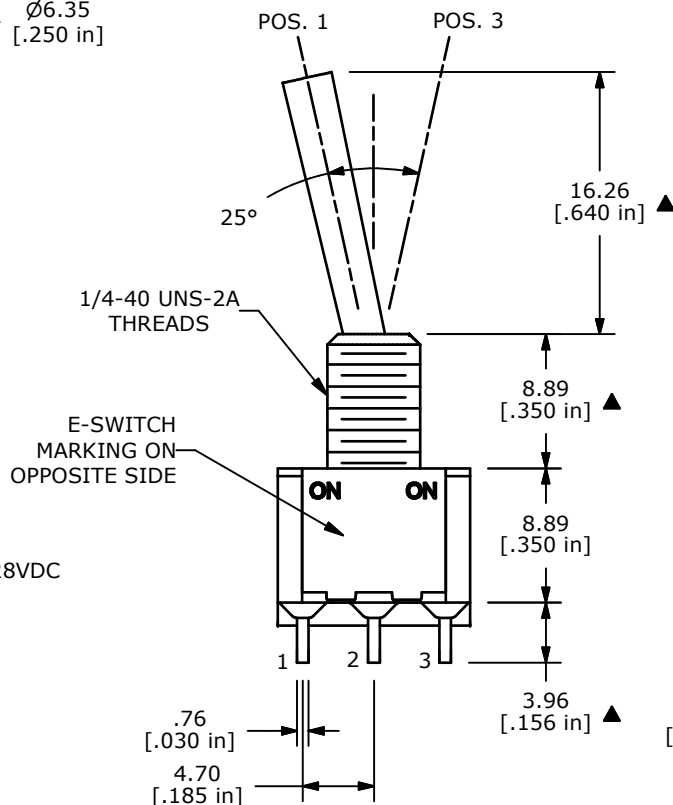
CIRCUIT: DPDT



PANEL MOUNTING



ISOMETRIC



- NOTE:
- ALL DIMENSIONS IN MM [INCH]
 - GENERAL TOLERANCE: X.X=±0.4
X.XX=±0.25
 - TERMINAL NUMBERS FOR REF ONLY
 - PLATING MATERIAL: SILVER
 - RATING: 5AMPS W/RESISTIVE LOAD @ 120VAC OR 28VDC
2 AMPS W/ RESISTIVE LOAD @ 250VAC
 - ELECTRIC LIFE: 40,000 make-and-break cycles at full load.
 - INSULATION RESISTANCE: 1,000 Mega-ohm min.
 - DIELECTRIC STRENGTH: 1,000 V RMS @sea level.
 - OPERATING TEMP.: -30°C to 85°C
 - ▲ DENOTES CRITICAL PARAMETER.
 - 2002/95/EC (ROHS) COMPLIANT
 - HARDWARE TO BE SHIPPED BULK
T100000 - HEXNUT - QTY 2
T100011 - LOCKWASHER - QTY 1
T100015 - LOCKRING - QTY 1



A	18195	RELEASE FOR PRODUCTION	8/5/08	BLR
REV	PCR NO	DESCRIPTION	DATE	BY

TITLE 100DP1T4B1M1QEH				
SCALE	DATE	DR	DWG	REV
2:1	8/5/2008	BLR	ST121022	A

THE INFORMATION CONTAINED IN THIS DOCUMENT IS PROPRIETARY TO E-SWITCH AND IS NOT TO BE COPIED OR TRANSFERRED